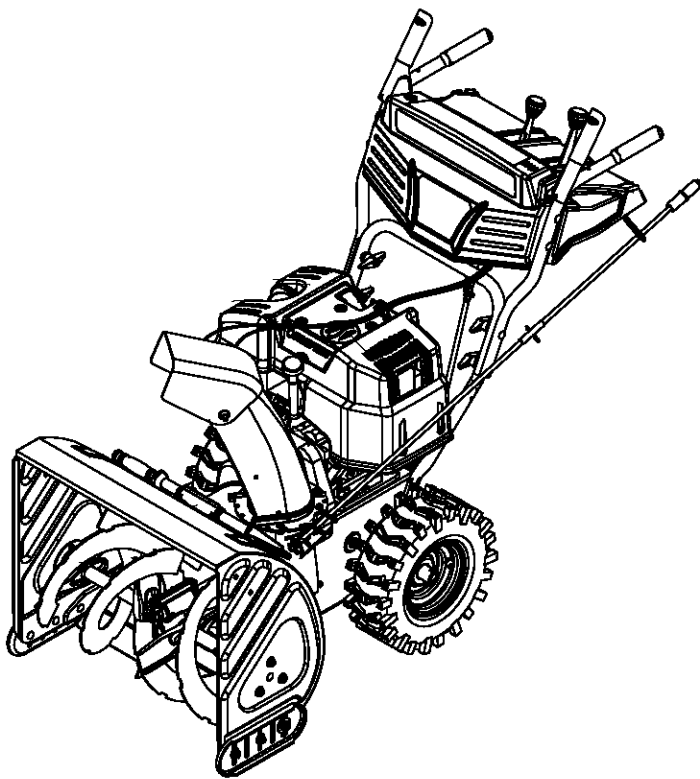




Operator's Manual



Storm Snow Thrower **Models** 7524 & 8526

IMPORTANT: Read safety rules and instructions carefully before operating equipment.

Warning: This unit is equipped with an internal combustion engine and should not be used on or near any unimproved forest-covered, brush-covered or grass-covered land unless the engine's exhaust system is equipped with a spark arrester meeting applicable local or state laws (if any). If a spark arrester is used, it should be maintained in effective working order by the operator. In the State of California the above is required by law (Section 4442 of the California Public Resources Code). Other states may have similar laws. Federal laws apply on federal lands. A spark arrester for the muffler is available through your nearest engine authorized service dealer or contact the service department, P.O. Box 361131 Cleveland, Ohio 44136-0019.

TROY-BILT LLC. P.O. BOX 361131 CLEVELAND, OHIO 44136-0019

PRINTED IN U.S.A.

FORM NO. 769-00394B
(6/2003)

TABLE OF CONTENTS

Content	Page
Important Safe Operation Practices	3
Assembling Your Snow Thrower	5
Know Your Snow Thrower	7
Operating Your Snow Thrower	8
Making Adjustments	10
Maintaining Your Snow Thrower	12
Servicing Your Snow Thrower	13
Off-Season Storage	15
Troubleshooting	16
Parts List	17

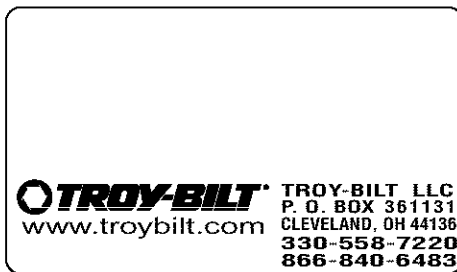
FINDING MODEL NUMBER

This Operator's Manual is an important part of your new snow thrower. It will help you to assemble, prepare and maintain the unit for best performance. Please read and understand what it says.



Before you start assembling your new snow thrower, please locate the model plate on the equipment and copy the information from it in the space provided below. The information on the model plate is very important if you need help from our Customer Support Department or an authorized dealer.

- You can locate the model number by standing behind the unit in the operating position and looking down at the dash panel . A sample model plate is explained below. For future reference, please copy the model number and the serial number of the equipment in the space below.



Copy the model number here: _____

Copy the serial number here: _____

ENGINE INFORMATION

The engine manufacturer is responsible for all engine-related issues with regards to performance, power-rating, specifications, warranty and service. Please refer to the engine manufacturer's Owner's/Operator's Manual packed separately with your unit for more information.

CALLING CUSTOMER SUPPORT

Please do NOT return the unit to the retailer from where it was purchased, without first contacting Customer Support.



If you have difficulty assembling this product or have any questions regarding the controls, operation or maintenance of this unit, please call **1-866-840-6483** or **1-330-558-7220** to reach a Customer Support representative. Please have your unit's model number and serial number ready when you call. See previous section to locate this information. You will be asked to enter the serial number in order to process your call.

For more details about your unit, visit our website at www.troybilt.com

SECTION 1: IMPORTANT SAFE OPERATION PRACTICES



WARNING: This symbol points out important safety instructions which, if not followed, could endanger the personal safety and/or property of yourself and others. Read and follow all instructions in this manual before attempting to operate this machine. Failure to comply with these instructions may result in personal injury. When you see this symbol—**heed its warning.**



WARNING: Engine Exhaust, some of its constituents, and certain vehicle components contain or emit chemicals known to State of California to cause cancer and birth defects or other reproductive harm.

DANGER: This machine was built to be operated according to the rules for safe operation in this manual. As with any type of power equipment, carelessness or error on the part of the operator can result in serious injury. This machine is capable of amputating hands and feet and throwing objects. Failure to observe the following safety instructions could result in serious injury or death.

Training

1. Read, understand, and follow all instructions on the machine and in the manual(s) before attempting to assemble and operate. Keep this manual in a safe place for future and regular reference and for ordering replacement parts.
2. Be familiar with all controls and their proper operation. Know how to stop the machine and disengage them quickly.
3. Never allow children under 14 years old to operate this machine. Children 14 years old and over should read and understand the operation instructions and safety rules in this manual and should be trained and supervised by a parent.
4. Never allow adults to operate this machine without proper instruction.
5. Thrown objects can cause serious personal injury. Plan your snow-throwing pattern to avoid discharge of material toward roads, bystanders and the like.
6. Keep bystanders, helpers, pets and children at least 75 feet from the machine while it is in operation. Stop machine if anyone enters the area.
7. Exercise caution to avoid slipping or falling, especially when operating in reverse.
7. Never attempt to make any adjustments while engine is running, except where specifically recommended in the operator's manual.
8. Let engine and machine adjust to outdoor temperature before starting to clear snow.
9. To avoid personal injury or property damage use extreme care in handling gasoline. Gasoline is extremely flammable and the vapors are explosive. Serious personal injury can occur when gasoline is spilled on yourself or your clothes, which can ignite. Wash your skin and change clothes immediately.
 - a. Use only an approved gasoline container.
 - b. Extinguish all cigarettes, cigars, pipes and other sources of ignition.
 - c. Never fuel machine indoors.
 - d. Never remove gas cap or add fuel while the engine is hot or running.
 - e. Allow engine to cool at least two minutes before refueling.
 - f. Never over fill fuel tank. Fill tank to no more than ½ inch below bottom of filler neck to provide space for fuel expansion.
 - g. Replace gasoline cap and tighten securely.
 - h. If gasoline is spilled, wipe it off the engine and equipment. Move machine to another area. Wait 5 minutes before starting the engine.
 - i. Never store the machine or fuel container inside where there is an open flame, spark or pilot light (e.g. furnace, water heater, space heater, clothes dryer etc.).
 - j. Allow machine to cool at least 5 minutes before storing.

Preparation

1. Thoroughly inspect the area where the equipment is to be used. Remove all doormats, newspapers, sleds, boards, wires and other foreign objects, which could be tripped over or thrown by the auger/impeller.
2. Always wear safety glasses or eye shields during operation and while performing an adjustment or repair to protect your eyes. Thrown objects which ricochet can cause serious injury to the eyes.
3. Do not operate without wearing adequate winter outer garments. Do not wear jewelry, long scarves or other loose clothing, which could become entangled in moving parts. Wear footwear which will improve footing on slippery surfaces.
4. Use a grounded three-wire extension cord and receptacle for all units with electric start engines.
5. Adjust collector housing height to clear gravel or crushed rock surfaces.
6. Disengage all clutch levers before starting the engine.

Operation

1. Do not put hands or feet near rotating parts, in the auger/impeller housing or discharge chute. Contact with the rotating parts can amputate hands and feet.
2. The auger/impeller clutch lever is a safety device. Never bypass its operation. Doing so makes the machine unsafe and may cause personal injury.
3. The clutch levers must operate easily in both directions and automatically return to the disengaged position when released.
4. Never operate with a missing or damaged discharge chute. Keep all safety devices in place and working.

5. Never run an engine indoors or in a poorly ventilated area. Engine exhaust contains carbon monoxide, an odorless and deadly gas.
6. Do not operate machine while under the influence of alcohol or drugs.
7. Muffler and engine become hot and can cause a burn. Do not touch.
8. Exercise extreme caution when operating on or crossing gravel surfaces. Stay alert for hidden hazards or traffic.
9. Exercise caution when changing direction and while operating on slopes.
10. Plan your snow-throwing pattern to avoid discharge towards windows, walls, cars etc. Thus, avoiding possible property damage or personal injury caused by a ricochet.
11. Never direct discharge at children, bystanders and pets or allow anyone in front of the machine.
12. Do not overload machine capacity by attempting to clear snow at too fast of a rate.
13. Never operate this machine without good visibility or light. Always be sure of your footing and keep a firm hold on the handles. Walk, never run.
14. Disengage power to the auger/impeller when transporting or not in use.
15. Never operate machine at high transport speeds on slippery surfaces. Look down and behind and use care when in reverse.
16. If the machine should start to vibrate abnormally, stop the engine, disconnect the spark plug wire and ground it against the engine. Inspect thoroughly for damage. Repair any damage before starting and operating.
17. Disengage all clutch levers and stop engine before you leave the operating position (behind the handles). Wait until the auger/impeller comes to a complete stop before unclogging the discharge chute, making any adjustments, or inspections.
18. Never put your hand in the discharge or collector openings. Always use the clean-tool provided to unclog the discharge opening. Do not unclog discharge chute while engine is running. Before unclogging, shut off engine and remain behind handles until all moving parts have stopped completely.
19. Use only attachments and accessories approved by the manufacturer (e.g. wheel weights, tire chains, cabs etc.).
20. If situations occur which are not covered in this manual, use care and good judgment. Contact your dealer or

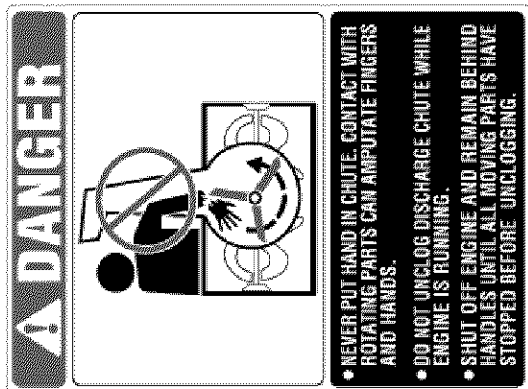
telephone 1-866-840-6483 for assistance and the name of your nearest servicing dealer.

Maintenance & Storage

1. Never tamper with safety devices. Check their proper operation regularly. Refer to the maintenance and adjustment sections of this manual.
2. Before cleaning, repairing, or inspecting machine disengage all clutch levers and stop engine. Wait until the auger/impeller come to a complete stop. Disconnect the spark plug wire and ground against the engine to prevent unintended starting.
3. Check bolts and screws for proper tightness at frequent intervals to keep the machine in safe working condition. Also, visually inspect machine for any damage.
4. Do not change the engine governor setting or over-speed the engine. The governor controls the maximum safe operating speed of the engine.
5. Snow thrower shave plates and skid shoes are subject to wear and damage. For your safety protection, frequently check all components and replace with original equipment manufacturer's (OEM) parts only. "Use of parts which do not meet the original equipment specifications may lead to improper performance and compromise safety!"
6. Check clutch controls periodically to verify they engage and disengage properly and adjust, if necessary. Refer to the adjustment section in this operator's manual for instructions.
7. Maintain/replace safety/instruction labels, as necessary.
8. Observe proper disposal laws and regulations for gas, oil, etc. to protect the environment.
9. Prior to storing, run machine a few minutes to clear snow from machine and prevent freeze up of auger/impeller.
10. Never store the machine or fuel container inside where there is an open flame, spark or pilot light such as a water heater, furnace, clothes dryer etc.
11. Always refer to the operator's manual for proper instructions on off-season storage.

Your Responsibility

Restrict the use of this power machine to persons who read, understand and follow the warnings and instructions in this manual and on the machine. The safety labels are shown below for your reference.



SECTION 2: ASSEMBLING YOUR SNOW THROWER

Unpacking

- Remove staples from the top, sides, and ends of the shipping crate.
- Set panels aside to avoid tire punctures or personal injury.
- Remove and discard plastic bag that covers unit.
- Roll the unit out of the crate.
- Check the crate for loose parts before discarding.

Loose Parts

- The augers are secured to the auger shaft with two shear bolts and hex lock nuts. If you hit a foreign object or ice jam, the snow thrower is designed so that the bolts may shear. Two replacement shear bolts and nuts are provided for your convenience. See Figure 1. Store these safely until needed.

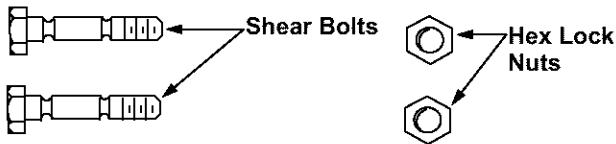


Figure 1

IMPORTANT: NEVER replace the auger shear bolts with standard hex bolts. Any damage to the auger gearbox or other components from using standard bolts will not be covered by your snow thrower's warranty.

Items Required For Assembly

1. Pair of pliers
2. Engine oil
3. Fresh gasoline

Before Assembly

- Disconnect spark plug wire and ground it against the engine to prevent unintended starting.

NOTE: All references in this manual to the left or right side of the snow thrower is from the operating position only. Exceptions, if any, will be specified.

Assembling Handle

For shipping purposes, the upper handle is secured loosely to the lower handle with four wing nuts.

- Remove the **lower** plastic wing nut, saddle washer and carriage bolt from each side of the lower handle. See Figure 2.
- Raise the upper handle assembly until it locks over the lower handle.
- Look at the lower rear of the snow thrower frame to be sure all the cables are aligned with the cable

roller guides. Make sure the spring (found at the end of each cable) is attached to its actuator bracket.

- Secure the upper handle and lower handle with the two plastic wing nuts, saddle washers and carriage bolts previously removed. Attach these hardware on the lower hole in the handles. See Figure 2.
- Tighten the two wing nuts already in place on the upper holes and secure the handles firmly. Slide the shift rod connector down over the end of the lower shift rod. Tap the connector until it **locks** over the lower shift rod. See Figure 2.

NOTE: If the connector is not properly assembled, the shift rod will pivot and you will not be able to change speed or direction of movement of the equipment.

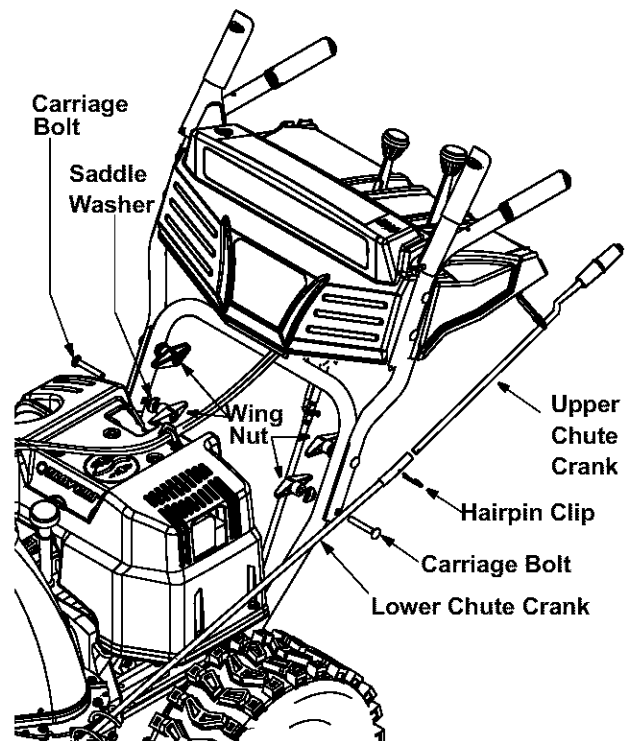


Figure 2

Attaching Chute Crank

- Remove the hairpin clip from the upper chute crank and slide the upper chute crank into the lower chute crank. A pair of pliers may help in this job.
- Align the two holes on both chute cranks and insert the hairpin clip removed earlier, through these holes. See Figure 2.
- If not already attached, slip the chute cables (running from the handle panel to the discharge chute) into the cable guide located on top of the engine. See Figure 3.

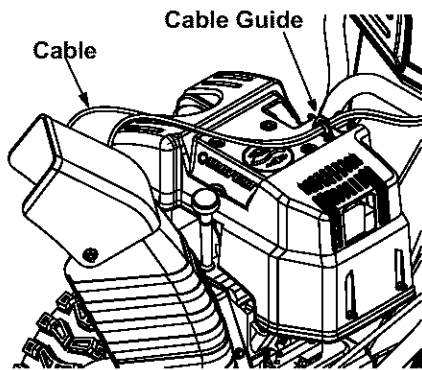


Figure 3

Connecting Alternator Lead

(Model 8526 Only)

- Unwrap the headlight wire which is attached to the headlight, beneath the handle panel. Wind the headlight wire around the lower right handle until excess slack is removed. See Figure 4.
- Plug the wire from the headlight into the alternator lead coming from the right side of the engine underneath the fuel tank.

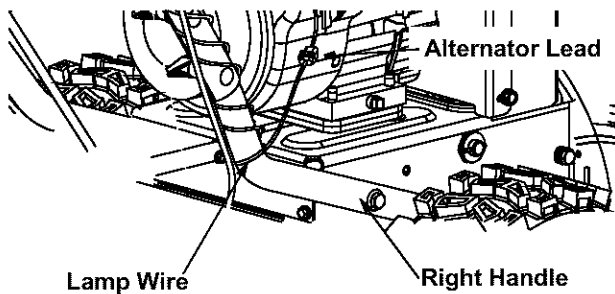


Figure 4

Chute Clean-Out Tool

- This tool, along with the electric cord, may be fastened with a cable tie to the rear of the auger housing for shipping purposes. In that case, cut the cable tie and remove the electric cord now.

Final Adjustments

Make these final adjustments **before** operating your snow thrower for the first time. Failure to follow these instructions may cause damage to the snow thrower.

NOTE: If you have a question about the terms used in these instructions, refer to the descriptions and illustration starting on page 7.

Tire Pressure (Pneumatic Tires)

The tires are overinflated for shipping purposes.

- Check tire pressure. Maintain pressure as recommended on the sidewall of the tire.

NOTE: If the tire pressure is not equal in all tires, the unit may pull to one side or the other.



WARNING: Maximum tire pressure under any circumstance is 30 psi. Equal tire pressure should be maintained at all times. Excessive pressure (over 30 psi) when seating beads may cause tire/rim assembly to burst with force sufficient to cause serious injury.

Traction Control & Shift Lever

Move the shift lever into sixth (6) position. Perform the following test to check for proper adjustment:

1. With the traction control released, push the snow thrower forward, then pull it back. The machine should move freely.
2. Engage the traction control and attempt to move the machine both forward and back. Resistance should be felt.
3. Move the shift lever into the fast reverse (R2) position and repeat the previous two steps.

If you experienced resistance in the first or the third case, or no resistance in the second case, adjust traction control. To adjust, proceed as follows:

- Loosen the jam nut on the traction control cable and unthread the cable one full turn.
- Recheck adjustment.
- Retighten the jam nut to secure the cable when correct adjustment is reached.

NOTE: For more details, refer to *Traction Control Adjustment* on page 10.

Auger Control

Check the adjustment of the auger control as follows:

- When the auger control is released and in the disengaged “up” position, the cable should have very little slack, but should **not** be tight.

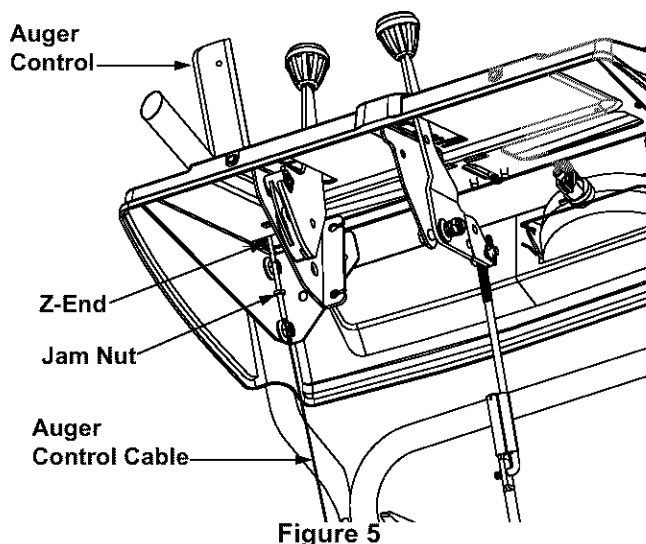


WARNING: Do not over-tighten the cable. Over-tightening may prevent the auger from disengaging and compromise the safety of the snow thrower.

- In a well-ventilated area, start the snow thrower engine as instructed on page 8. Make sure the throttle is set in the fast position.
- While standing in the operator’s position (behind the snow thrower) engage the auger.
- Allow the auger to remain engaged for approximately ten (10) seconds before releasing the auger control. Repeat this several times.
- With the engine running in the fast position and the auger control lever in the disengaged “up” position, walk to the front of the machine.
- Confirm that the auger has completely stopped rotating and shows no signs of motion.

IMPORTANT: If the auger shows any signs of rotating, immediately return to the operator's position and shut off the engine. Wait for all moving parts to stop before readjusting the auger control cable.

- To readjust the control cable, loosen the hex jam nut on the auger control cable "Z" fitting.
- Rotate the coupling end of the cable counterclockwise to provide more slack.
- Retighten the hex jam nut. See Figure 5.
- Repeat Auger Control Test to verify adjustment.



SECTION 3: KNOW YOUR SNOW THROWER

WARNING: Be familiar with all the controls on the snow thrower and their proper operation. Know how to stop the machine and disengage them quickly.

- Compare the figure below and description of controls in this section with your equipment before starting unit.

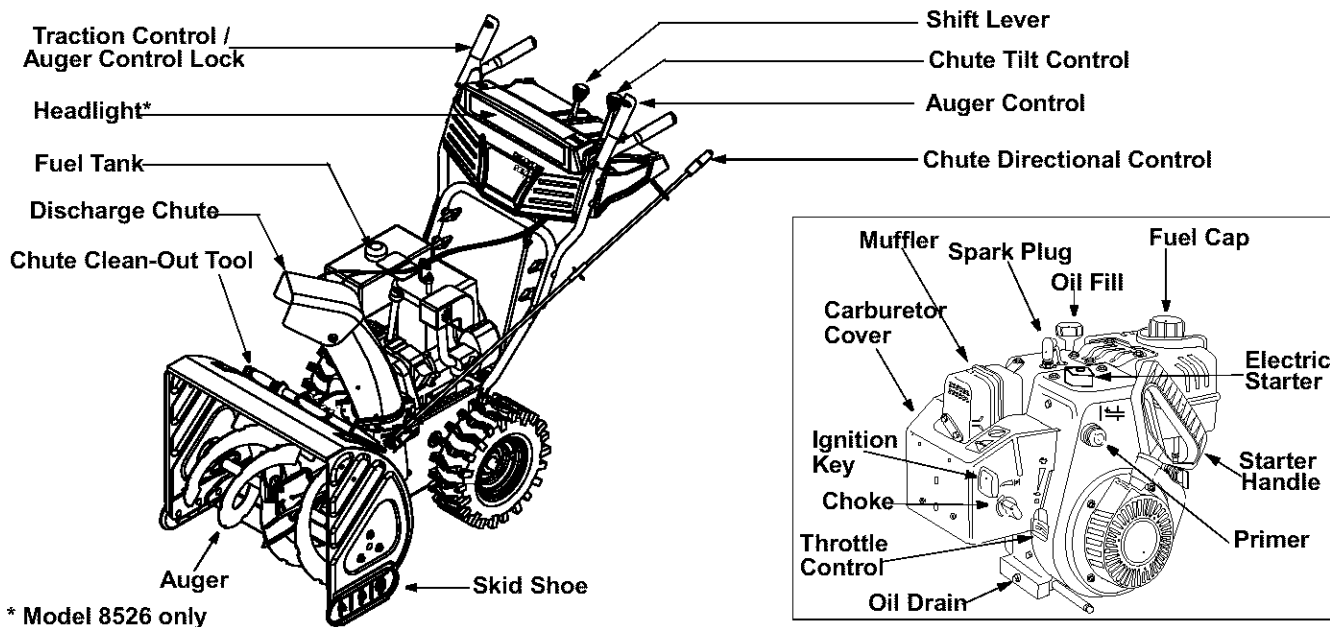


Figure 6

Traction Control / Auger Control Lock

The traction control is located on the right handle. Squeeze the traction control to engage the wheel drive; release to stop.

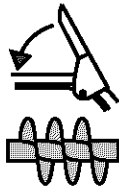
This same lever also locks the auger control so you can operate the chute crank without interrupting snow

throwing process. If the auger control is engaged simultaneously with the traction control, you can release the auger control (on the left handle) and the augers will remain engaged. Release the traction control to stop the augers and wheel drive (the auger control must also be released).

IMPORTANT: Always release the traction control before changing speeds.

Auger Control

The auger control is located on the left handle. Squeeze the auger control to engage the augers; release to disengage. Traction control must also be released in order to stop the auger.



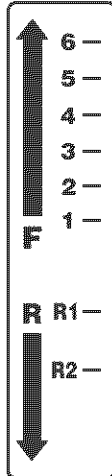
Shift Lever

The shift lever is located in the center of the handle panel and is used to determine ground speed and direction of travel. It can be moved into any of eight positions.

IMPORTANT: Always release traction the control before changing speeds.

Forward: The snow thrower has six forward (F) speeds. Position one (1) is the slowest and position six (6) is the fastest.

Reverse: The snow thrower has two reverse (R) speeds—R1 is the slower of the two.



Discharge Chute

The angle of the upper discharge chute controls the distance that snow is thrown. Tilt the discharge chute up for greater distance; tilt it down for less distance.

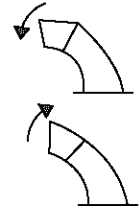
Chute Crank

The chute crank is located on the left side of the snow thrower. Use it to change direction in which snow is thrown. Avoid targetting persons, animals or cars and buildings.



Chute Tilt Control

The distance snow is thrown can be changed by adjusting the angle of the chute assembly. Move chute tilt control forward to decrease distance, and toward the rear to increase distance.



Chute Clean-Out Tool

The chute clean-out tool is designed to clear a clogged discharge chute. Refer to page 10 for details.



WARNING: Never use your hand to clear a clogged discharge chute. Shut off engine and remain behind handles until all moving parts have stopped before unclogging.

Skid Shoe

The skid shoe position has to be determined by the condition of the ground from where snow will be removed. Higher the snow level, lower will be the skid shoe. Adjust it accordingly.

Headlight

(Model 8526 only)

The headlight is on whenever the engine is running.

Throttle Control

The throttle control is located on the engine. It regulates the speed of the engine.

Safety Ignition Key

The safety ignition key must be fully inserted in the switch before the unit will start. Remove key when snow thrower is not in use. Do **not** turn the key.

SECTION 4: OPERATING YOUR SNOW THROWER

Read and understand all instructions and warnings on the machine and in this manual **before** operating the snow thrower.

Gas & Oil Fill-Up

- Service the engine with gasoline and oil as instructed in the engine manual shipped with the snow thrower.



WARNING: Use extreme care when handling gasoline. Gasoline is extremely flammable and the vapors are explosive. Never fuel machine indoors or while the engine is hot or running. Extinguish cigarettes, cigars, pipes or other sources of ignition.

IMPORTANT: Your snow thrower is equipped with a plastic fuel tank insert for shipping purposes. Please discard it before filling up gasoline for the first time.



To Start Engine

NOTE: If unit shows any sign of motion (drive or augers) with the clutch grips disengaged, shut engine off immediately. Readjust as instructed in the Final Adjustments in the Assembly Section.

- Attach spark plug wire to spark plug. Make certain the metal loop on end of the spark plug wire (inside the boot) is fastened securely over the metal tip on the spark plug.

- Make certain the auger and drive clutch levers are in the disengaged (released) position.
- Move throttle control up to FAST position.
- Insert ignition key into slot. Be certain it snaps into place. **Do not turn key.**

NOTE: *Engine will not start unless ignition key is inserted into ignition slot in carburetor cover.*

Electric Starter

- Determine that your house wiring is a three-wire grounded system. Ask a licensed electrician if you are not certain.



WARNING: The electric starter is equipped with a grounded three-wire power cord and plug and is designed to operate on 120 volt AC household current. It must be used with a properly grounded three-prong receptacle at all times to avoid the possibility of electric shock. Follow all instructions carefully for preparing to operate the electric starter.

- **If your home wiring system is not a three-wire grounded system,** do not use this electric starter under any conditions.
- **If your home electrical system is grounded, but a three-hole receptacle is not available,** one should be installed by a licensed electrician before using the electric starter.
- **If your home is equipped with a grounded three-prong receptacle,** proceed as follows:
 - Rotate choke knob to OFF position.
 - Push the primer three times, fully covering the vent.
 - Connect power cord to switch box on engine. Plug the other end of power cord into a three-hole, grounded 120 volt AC receptacle.
 - Push starter button on top of the engine to crank engine. As you crank the engine, move choke knob to FULL choke position.
 - When engine starts, release starter button, and move choke gradually to OFF. If engine falters, move choke immediately to FULL and then gradually to OFF.
 - When disconnecting the power cord, always unplug from the three-prong receptacle first and then from the snow thrower.

Recoil Starter

- Rotate choke knob to FULL choke position (cold engine start). If engine is warm, place choke in OFF position instead of FULL.
- Push primer button two or three times. If engine is warm, push primer button once only.
- Grasp starter handle and pull rope out slowly, until it pulls slightly harder. Let rope rewind slowly.
- Pull starter handle rapidly. Do not allow handle to snap back. Allow it to rewind slowly while holding firmly. Repeat until engine starts.

To Stop Engine

- Run engine for a few minutes before stopping to help dry off any moisture on the engine.
- To prevent possible freeze-up of starter:
 - Electric Starter:** Connect power cord to switch box on engine, then to 120 volt AC receptacle. With the engine running, push starter button and spin the starter for several seconds. The unusual sound made by spinning the starter will not harm engine or starter. Disconnect the power cord from receptacle first, and then from switch box.
 - Recoil Starter:** With engine running, pull starter rope with a rapid, continuous full arm stroke three or four times. Pulling the starter rope will produce a loud clattering sound, which is normal.
- Move throttle control to “stop” or “off” position.
- Remove ignition key. Do not turn key. Disconnect the spark plug wire from the spark plug to prevent accidental starting while equipment is unattended.

NOTE: *Keep it in a safe place. Engine will not start without ignition key.*

- Wipe all snow and moisture from the carburetor cover in the area of the control levers. Also, move control levers back and forth several times.

To Engage Wheel Drive

- With the engine running near top speed, move the shift lever into one of the six FORWARD positions or two REVERSE positions. Select a speed appropriate for the snow conditions that exist.

NOTE: *Use slower speeds in higher snow, and until you are familiar with the operation of the snow thrower.*

- Squeeze the traction control against the right handle and the snow thrower will move. Release it and the drive motion will stop.

IMPORTANT: Never move the shift lever without first releasing the traction control. Doing so will cause premature wear on the drive system’s friction wheel.

To Engage Augers

- To engage augers and start snow throwing, squeeze the auger control against the left handle.
- To disengage power to the augers, release both the auger control and the traction control, if engaged.

The auger control can be locked so you can turn the electric chute directional control without interrupting the snow throwing process.

Operating Tips

NOTE: *Allow the engine to warm up for a few minutes. The engine will not develop full power until it reaches operating temperature.*



WARNING: The temperature of the muffler and the surrounding areas may exceed 150°F. Avoid these areas.

- For efficiency in job, remove snow immediately after it falls.
- Discharge snow downwind whenever possible.
- Slightly overlap each previous path.
- Set the skid shoes 1/4" below the shave plate for normal usage. Adjust it upward for hard-packed snow and downward when using on gravel or crushed rock.

Chute Clean-Out Tool

The chute clean-out tool is conveniently fastened to the rear of the auger housing with a mounting clip. **Never** use your hand to clean a clogged chute or chute opening; use this clean-out tool instead.

- Release both the auger control lever and the traction/auger control lock lever.
- Stop the engine by removing the ignition key.
- Remove the clean-out tool from the clip which secures it to the rear of the auger housing. See Figure 7.

- Use the shovel-shaped end of the clean-out tool to remove any snow and ice in the discharge chute.
- Re-fasten the clean-out tool to the mounting clip on the rear of the auger housing and restart engine.
- While standing in the operator's position (behind the snow thrower), engage the auger clutch lever for a few seconds to clear any remaining snow or ice from the discharge chute before continuing to clear snow.

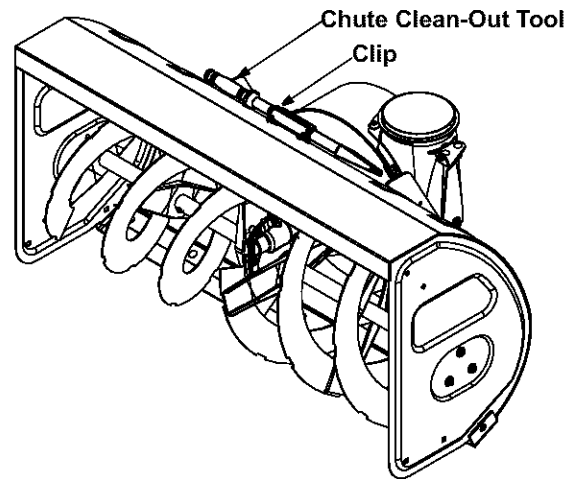


Figure 7

SECTION 5: MAKING ADJUSTMENTS



WARNING: NEVER attempt to clean chute or make any adjustments while engine is running.

Shift Rod

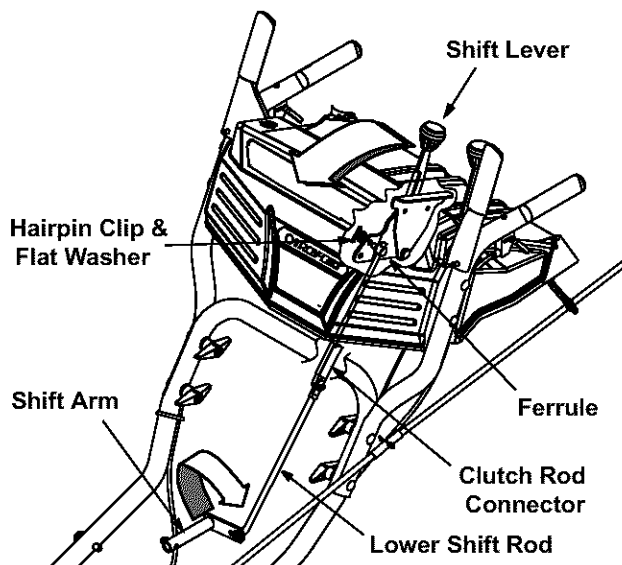


Figure 8

- Remove the hairpin clip and flat washer from the shift handle under the handle panel. See Figure 8.
- Place shift lever in sixth (6) position or fastest forward speed.
- Push shift arm assembly down as far as it will go.
- Rotate the ferrule up or down on the shift rod as necessary until the ferrule lines up with the upper hole in the shift lever. See Figure 8.
- Insert ferrule from the left side of the snow thrower into the upper hole. See Figure 8 inset.
- Reinstall the hairpin clip and the flat washer.

IMPORTANT: Before operating the snow thrower, make sure the shift rod is adjusted according to instructions on page 6.

NOTE: For adjustment of auger control, skid shoe and chute assembly, refer to Final Adjustments in Section 1.

Traction Control

If you are uncertain about correct adjustment, proceed as follows:

- Drain the gasoline out of your snow thrower's engine, and place a piece of plastic film under the gas cap to avoid spillage.

- Tip the snow thrower forward, allowing it to rest on the auger housing. See Figure 9.

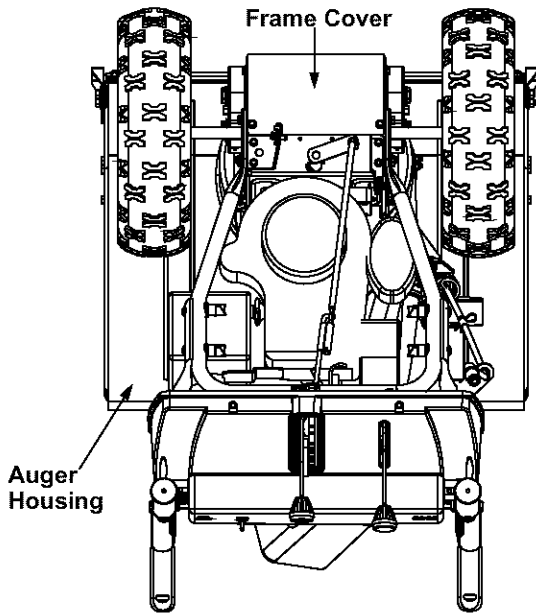


Figure 9

- Remove the frame cover underneath the snow thrower by removing six self-tapping screws.
- With the traction control released, check if there is clearance between friction wheel and drive plate in all positions of the shift lever. See Figure 10.
- With the traction control lever engaged, check if the friction wheel fully contacts the drive plate. See Figure 10. If not, adjust as follows.
- Loosen the jam nut on the traction drive cable and thread the cable in or out as necessary.
- Retighten the jam nut to secure the cable when correct adjustment is reached.
- Reassemble the frame cover.
- If you placed plastic film under the gas cap earlier, remove it now.

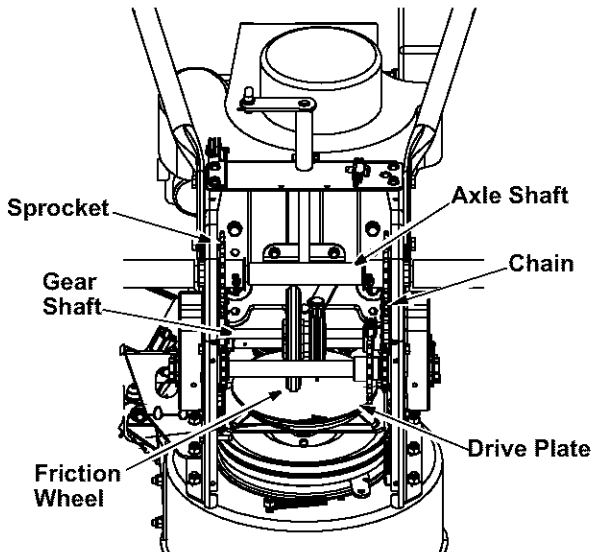


Figure 10

Skid Shoe

The space between the shave plate and the ground can be adjusted by raising or lowering the skid shoes.

For close snow removal, as when using on a smooth concrete or asphalt driveway, place the skid shoes in the low position. Use the middle or high position for the skid shoes when the area to be cleared is uneven.

When operating on gravel, always put skid shoes in the high position.

See Figure 11. Adjust skid shoes as follows:

- Loosen, but do not remove, the three hex nuts which fasten the skid shoe to the auger housing.
- Raise or lower the skid shoe to desired position.
- Retighten the hex nuts loosened earlier.
- Repeat on the other side of the snow thrower.

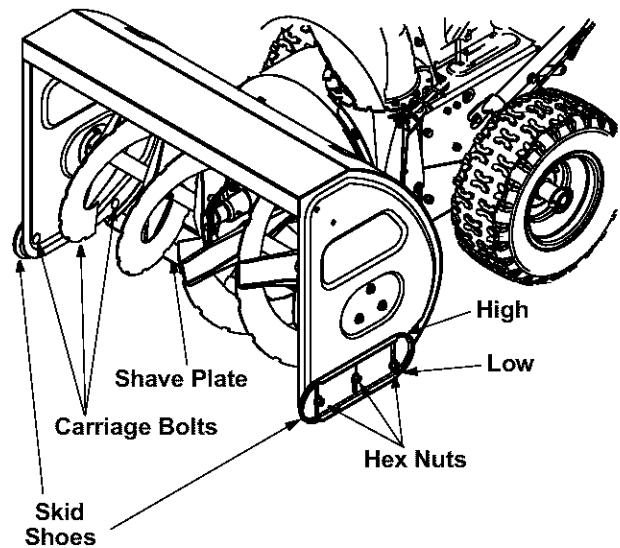


Figure 11

NOTE: Make certain the bottom surface of skid shoe is flat against the ground to avoid uneven wear.

Auger Control

Refer to **Auger Control Test** on page 6 to adjust the auger control. Make certain to check for correct adjustment as instructed before operating the snow thrower.

Chute Assembly

- The distance snow is thrown can be adjusted by adjusting the angle of the chute assembly. Refer to page 8 for instructions.
- The remote chute control cables have been pre-adjusted at the factory. Move the remote chute lever on the control panel back and forward to adjust angle of the chute assembly.

SECTION 6: MAINTAINING YOUR SNOW THROWER



WARNING: Before lubricating, repairing, or inspecting, disengage all clutch levers and stop engine. Wait until all moving parts have come to a complete stop. Disconnect the spark plug wire and ground it against the engine to prevent unintended starting.

General Recommendations

- Always observe safety rules when performing any maintenance.
- The warranty on this snow thrower does not cover items that have been subjected to operator abuse or negligence. To receive full value from the warranty, operator must maintain the snow thrower as instructed in this manual.
- Periodically check all fasteners and hardware to make sure these are tight.

Lubrication

Drive and Shifting Mechanism

- At least once a season or after every 25 hours of operation, remove rear cover. Lubricate any chains, sprockets, gears, bearings, shafts, and the shifting mechanism at least once a season. Use engine oil or a spray lubricant. Refer to Figure 10.

IMPORTANT: Avoid spillage of oil on rubber friction wheel and aluminum drive plate.

Gear Shaft

- Lubricate the gear shaft with 6-in-1 grease (part number 737-0170) at least once a season, or after every 25 hours of operation. Refer to Figure 10.

IMPORTANT: Keep all grease and oil off the rubber friction wheel and drive plate.

Gear Case

The gear case is lubricated with grease at the factory and it does not require checking.

- If disassembled for any reason, lubricate gear case with 2 ounces of Shell Alvania grease EPR00, part number 737-0168. Before reassembling, remove old sealant and apply new sealant.

IMPORTANT: Do not overfill the gear case, since damage to the seals could result. Be sure the vent plug is free of grease in order to relieve pressure.

Auger Shaft

- At least once a season, remove the shear bolts from the auger shaft and spray lubricant inside the shaft. See Figure 12.

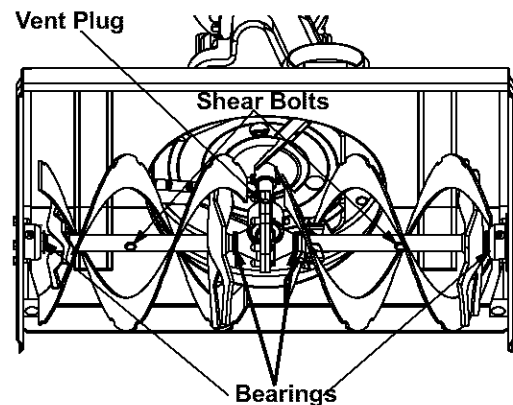


Figure 12

Auger Bearings and Shaft

- Every season lubricate the auger bearings and the bearings on the side of the frame with light oil. See to Figure 12.

Engine

Refer to the engine manual for instructions.

Discharge Chute

The base of the discharge chute and the spirals on the chute crank should be lubricated at least every 25 hours of use. Apply the lubricant under the base of the chute and where the spirals contact the discharge chute. See Figure 13.

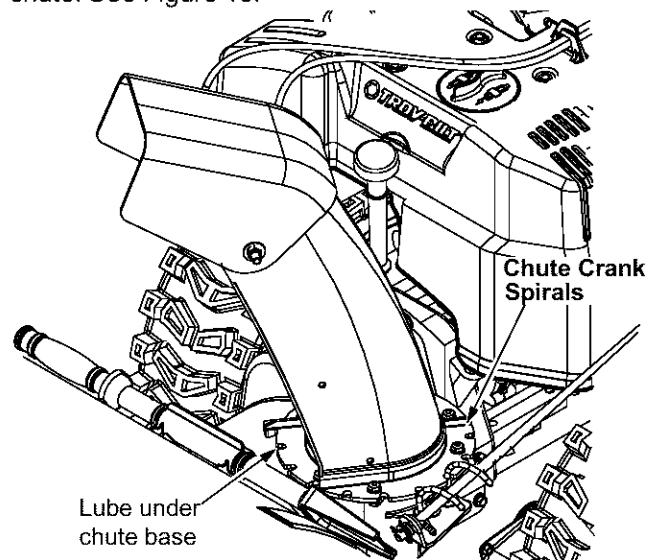


Figure 13

Traction Control / Auger Control Lock

The cams on the ends of the control rods which interlock the traction drive and auger drive clutches must be lubricated at least once a season or every 25 hours of operation using a multi-purpose automotive grease. The cams can be accessed beneath the handle panel. See Figure 14.

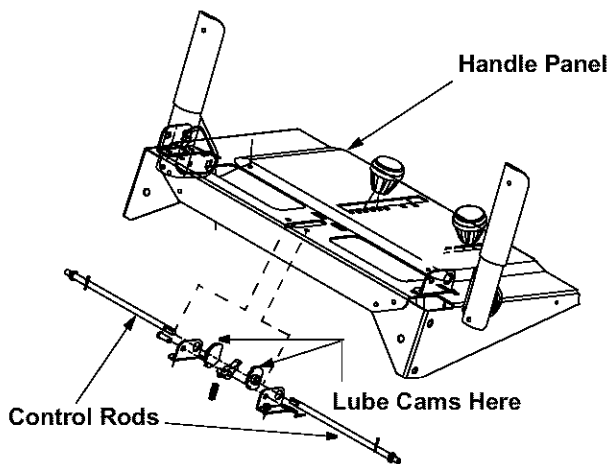


Figure 14

Friction Wheel Rubber

Follow the instructions below to check the condition of the friction wheel rubber every 25 hours of operation.

- Remove the six self-tapping screws from the frame cover underneath the snow thrower.
- Visually inspect the friction wheel rubber for

excessive wear, cracks, or loose fit on the friction wheel drive hub.

- Also engage the traction control and check if the friction wheel is making contact with friction plate. Refer to Figure 10. If it does not make contact, adjust the traction drive cable and recheck the friction wheel.
- Replace friction wheel rubber if necessary. Refer to instructions on page 15.

Drive Belts

Check the condition of the drive belts every 50 hours of operation.

- Remove the plastic belt cover on the front of the engine by removing the three self-tapping screws.
- Visually inspect for frayed, cracked, or excessively worn out belts.
- Replace belts as necessary as outlined in Service Section on page 14.

SECTION 7: SERVICING YOUR SNOW THROWER



WARNING: Before servicing, repairing, or inspecting, disengage all clutch levers and stop engine. Wait until all moving parts have come to a complete stop. Disconnect spark plug wire and ground it against the engine to prevent unintended starting.

Augers

The augers are secured to the spiral shaft with two shear bolts and hex lock nuts. If you hit a foreign object or ice jam, the snow thrower is designed so that the bolts may shear. Refer to Figure 12.

- If the augers do not turn, check if the bolts have sheared. Two replacement shear bolts and hex lock nuts have been provided with the snow thrower. Refer to Loose Parts in the Assembly Section.

IMPORTANT: NEVER replace the auger shear bolts with standard hex bolts. Any damage to the auger gearbox or other components, as a result of doing so, will NOT be covered by your snow thrower's warranty.

Shave Plate and Skid Shoes

The shave plate and skid shoes on the bottom of the snow thrower are subject to wear. These should be checked periodically and replaced when necessary.

NOTE: The skid shoes on this machine have two wear edges. When one side wears out, they can be rotated 180° to use the other edge.

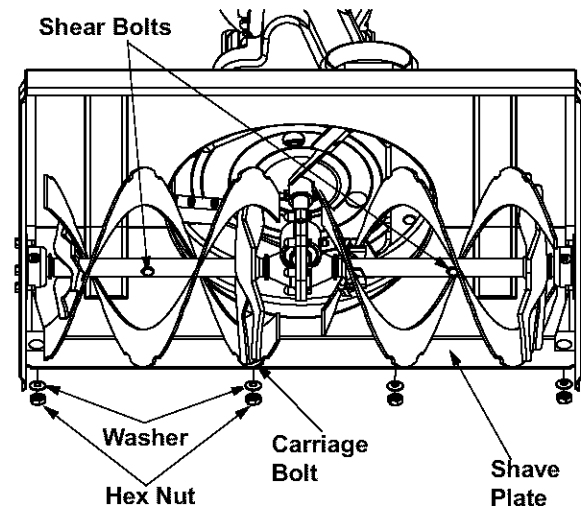


Figure 15

- Remove the six carriage bolts, belleville washers and hex nuts which attach two skid shoes to the snow thrower on two sides. See Figure 11.
- Reassemble new skid shoes with the hardware removed earlier (concave side of belleville washer against the skid shoes). Make certain the skid shoes are adjusted to be level.

- To remove the shave plate, remove the carriage bolts, belleville washers and hex nuts which attach the shave plate to the snow thrower housing. See Figure 15.
- Reassemble the new shave plate, with heads of carriage bolts to the inside of the housing. Tighten securely.

Belt Replacement

Auger Belts

NOTE: It is necessary to remove both auger belts in order to change either one. If changing just one belt, be certain to check the condition of the other belt.

- Remove the plastic belt cover on the front of the engine by removing the two self-tapping screws. See Figure 16.

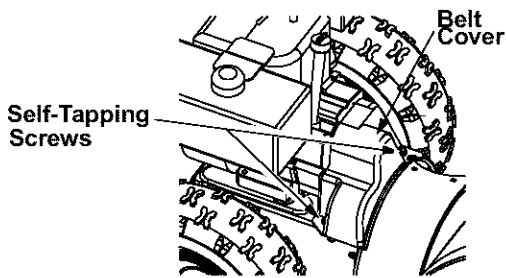


Figure 16

- Drain the gasoline from the snow thrower, or place a piece of plastic under the gas cap.
- Tip the snow thrower up and forward so that it rests on the housing.
- Remove six self-tapping screws from the frame cover underneath the snow thrower.
- Roll the front and rear auger belts off the engine pulley. See Figure 17.

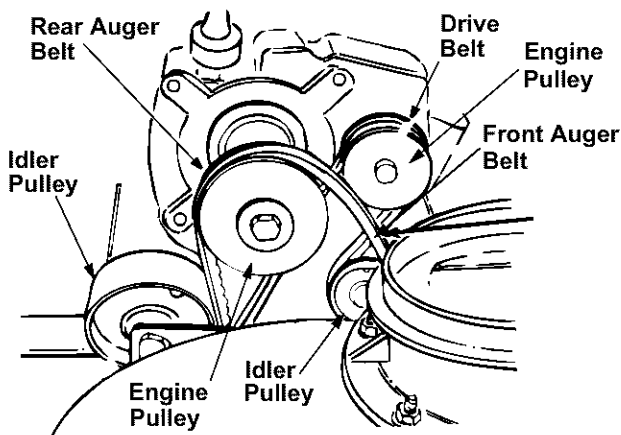


Figure 17

- Unhook the idler spring from the hex bolt on the auger housing. See Figure 18.

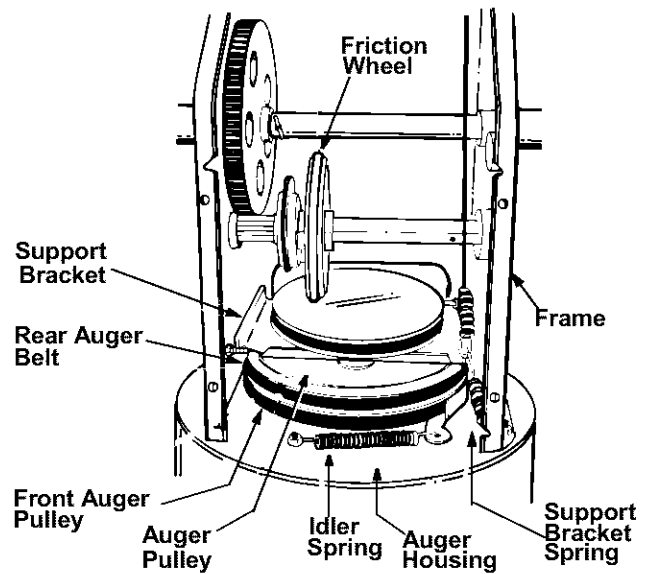


Figure 18

- Back out the stop bolt to allow the belts to slip between the bolt and auger pulley. See Figure 19.

NOTE: It may be necessary to loosen the six hex nuts that fasten the frame to the auger housing.

- Lift the rear auger belt from the auger pulley, and slip belt between the support bracket and the auger pulley. See Figure 18. Repeat this step for front auger belt.
- Replace both auger drive belts by following instructions in reverse order.

Drive Belt

- Follow steps 1 through 4 of previous instructions.
- Pull idler pulley up, and lift belt off engine pulley and friction wheel disc. See Figure 17.
- Back out the stop bolt until the support bracket rests on the auger pulley. See Figure 19.

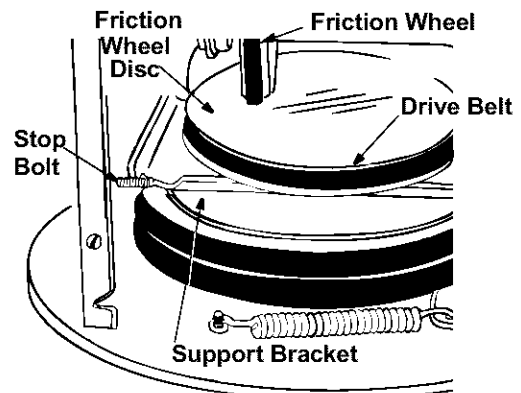


Figure 19

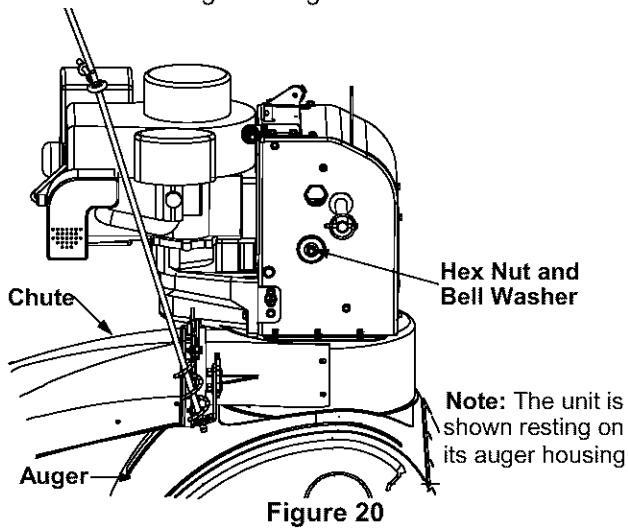
- Slip belt between friction wheel and friction wheel disc. Remove and replace belt. Reassemble following the instructions in reverse order.

NOTE: The support bracket must rest on the stop bolt after the new belt has been assembled. See Figure 19.

Changing Friction Wheel Rubber

The rubber on the friction wheel is subject to wear and should be checked after 25 hours of operation, and periodically thereafter. Replace the friction wheel rubber if any signs of wear or cracking are found.

- Drain the gasoline from the snow thrower, or place a piece of plastic under the gas cap.
- Tip the snow thrower up and forward, so that it rests on the housing. See Figure 20.



- Remove the click pins which secure the wheels, and remove the wheels from the axle.
- Remove the six self-tapping screws from the frame cover underneath the snow thrower.
- Using a wrench to hold the shaft, loosen, but do not completely remove, the hex nut and bell washer on left end of gear shaft. See Figure 20.

- Lightly tap the hex nut to dislodge the ball bearing from the right side of frame. Remove the hex nut and bell washer from left end of shaft.
- Slide the gear shaft to the right and slide the friction wheel assembly from the shaft.
- Remove the four screws from the friction wheel assembly. Remove the friction wheel rubber from between the plates. See Figure 21.

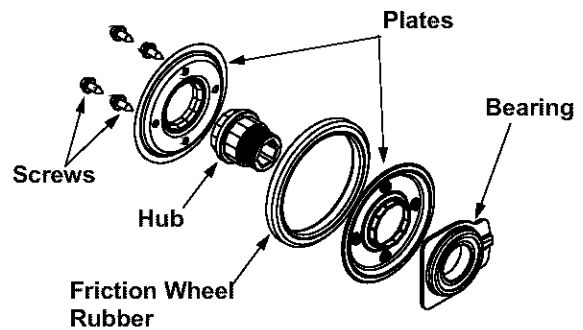


Figure 21

- Reassemble new friction wheel rubber to the friction wheel assembly, tightening the four screws in rotation and with equal force.
- Position the friction wheel assembly up onto the pin of the shift rod assembly, and slide the shaft through the assembly. Reassemble the wheels and the frame cover.

Engine

Refer to separate engine manual for all engine maintenance procedures.

SECTION 8: OFF-SEASON STORAGE

If unit is to be stored over 30 days, prepare for storage as follows:

- Remove gasoline from carburetor and fuel tank to prevent gum deposits from forming on these parts and causing possible malfunction of engine.



WARNING: Drain fuel into an approved container outdoors, away from an open flame. Allow engine to cool. Extinguish cigarettes, cigars, pipes, and other sources of ignition prior to draining fuel.

- Run engine until fuel tank is empty and engine stops due to lack of fuel.
- Drain carburetor by pressing upward on bowl drain, located below the carburetor cover.

NOTE: Fuel stabilizer is an acceptable alternative in minimizing the formation of fuel gum deposits during storage. Do not drain carburetor if using fuel stabilizer.

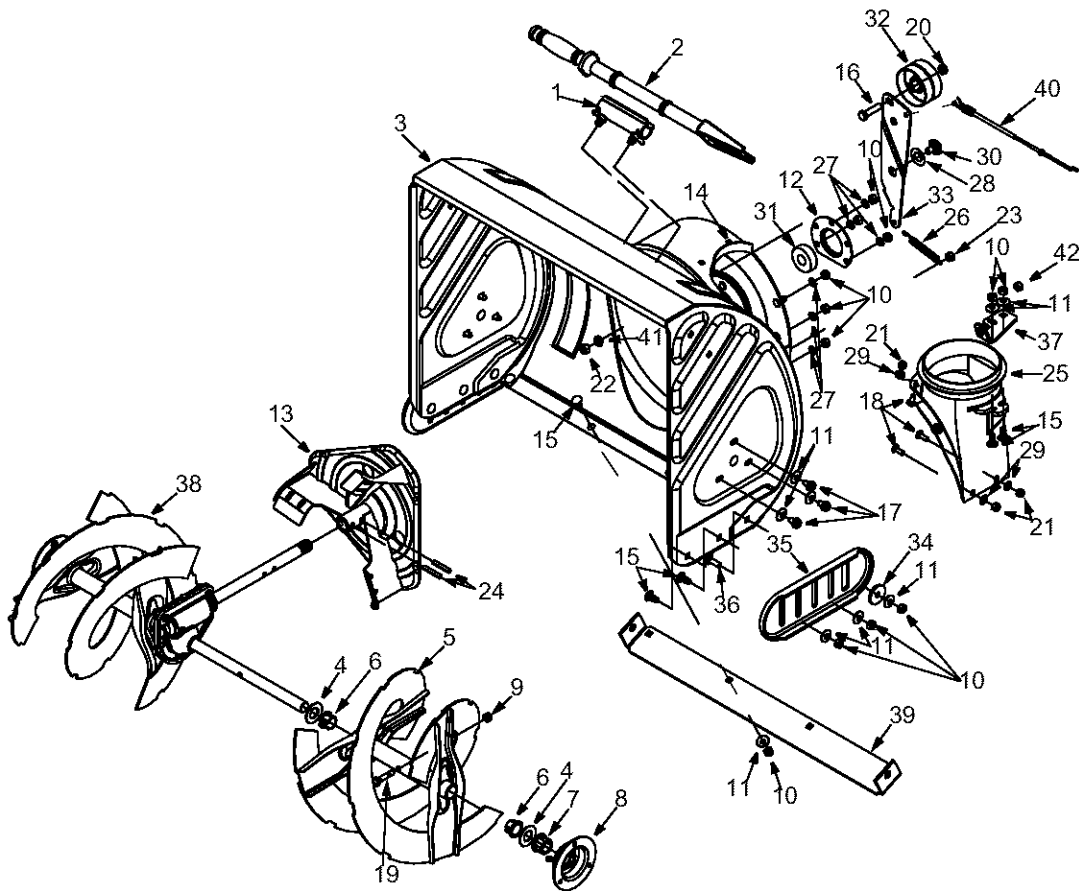
- Wipe equipment with an oiled rag to prevent rust.
- Remove spark plug and pour one ounce of engine oil through spark plug hole into cylinder. Cover spark plug hole with rag. Crank engine several times to distribute oil. Replace spark plug.
- Remove all debris from the exterior of equipment.
- Follow lubrication recommendations on page 12.
- Using a light oil or silicone, rust-proof the equipment, especially any chains, springs, bearings and cables.
- Always store the snow thrower in a clean, dry area.

SECTION 9: TROUBLESHOOTING

Problem	Cause	Remedy
Engine fails to start.	<ol style="list-style-type: none"> 1. Fuel tank empty, or stale fuel. 2. Blocked fuel line. 3. Choke not in ON position 4. Faulty spark plug. 5. Safety key not in ignition switch on engine. 6. Spark plug wire disconnected. 7. Primer button not being used properly. 	<ol style="list-style-type: none"> 1. Fill tank with fresh gasoline. 2. Clean the fuel line. 3. Move switch to ON position 4. Clean, adjust gap or replace. 5. Insert the key fully into the switch. 6. Connect spark plug wire. 7. Refer to the engine manual.
Engine runs erratic.	<ol style="list-style-type: none"> 1. Unit running on CHOKE. 2. Blocked fuel line or stale fuel. 3. Water or dirt in fuel system. 4. Carburetor out of adjustment. 	<ol style="list-style-type: none"> 1. Move choke lever to OFF position. 2. Clean fuel line and fill tank with clean, fresh gasoline. 3. Drain fuel tank and carburetor. Refill with fresh fuel. 4. Refer to the engine manual.
Loss of power.	<ol style="list-style-type: none"> 1. Spark plug wire loose. 2. Gas cap vent hole plugged. 3. Exhaust port plugged. 	<ol style="list-style-type: none"> 1. Connect and tighten spark plug wire. 2. Remove ice and snow from gas cap. Be certain vent hole is clear. 3. Refer to the engine manual.
Engine overheats.	<ol style="list-style-type: none"> 1. Carburetor not adjusted properly. 	<ol style="list-style-type: none"> 1. Refer to the engine manual or have the carburetor adjusted by an authorized engine service dealer.
Excessive vibration.	<ol style="list-style-type: none"> 1. Loose parts or damaged auger. 	<ol style="list-style-type: none"> 1. Stop engine immediately and disconnect spark plug wire. Tighten all bolts and nuts. If vibration continues, have unit serviced by an authorized service dealer.
Unit fails to propel itself.	<ol style="list-style-type: none"> 1. Traction control cable in need of adjustment. 2. Drive belt loose or damaged. 	<ol style="list-style-type: none"> 1. Adjust traction control cable. Refer to Adjustments. 2. Replace drive belt.
Unit fails to discharge snow.	<ol style="list-style-type: none"> 1. Discharge chute clogged. 2. Foreign object lodged in auger. 3. Auger control cable in need of adjustment. 4. Auger belt loose or damaged. 5. Shear bolt(s) sheared. 	<ol style="list-style-type: none"> 1. Stop engine immediately and disconnect spark plug wire. Clean discharge chute and inside of auger housing. 2. Stop engine immediately and disconnect spark plug wire. Remove object from auger. 3. Refer to Final Adjustments in Assembly Section. 4. Refer to Adjustments. 5. Replace shear bolt(s).

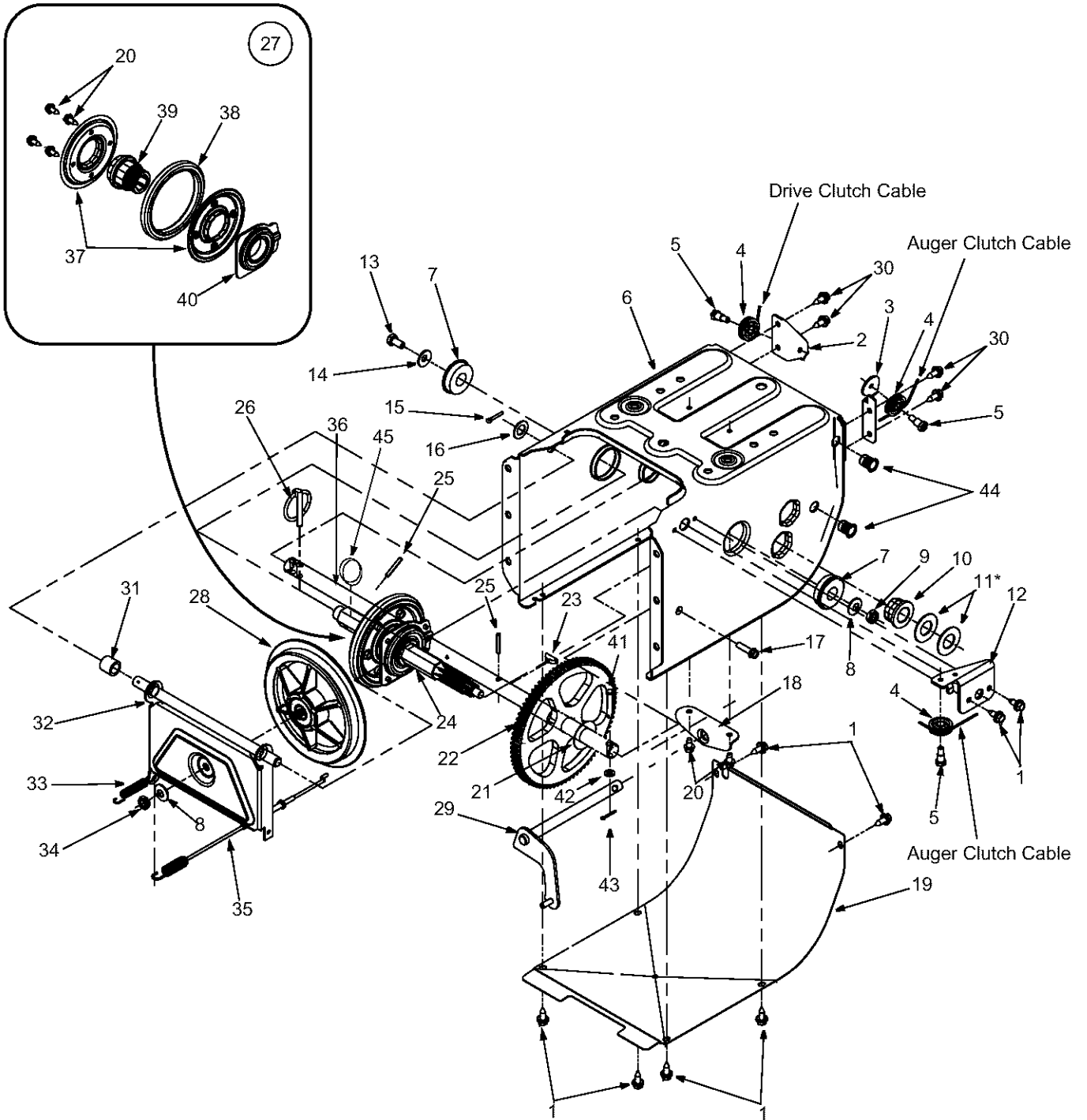
NOTE: For repairs beyond minor adjustments listed above, contact the local dealer.

SECTION 10: PARTS LIST FOR MODELS STORM 7524 & STORM 8526



Ref. No.	Part No.	Part Description	Ref. No.	Part No.	Part Description
1.	731-2635	Mount, Chute Clean-out Tool	22.	712-0798	Hex Nut 3/8-16
2.	731-2643	Chute Clean-out Tool	23.	712-3068	Hex Nut 5/16-18
3.	684-04002	26" Housing Assembly	24.	715-0114	Pin
-	684-04001	24" Housing Assembly	25.	731-1379C	Chute Adapter
4.	736-0188	Flat Washer .76 x 1.49	26.	732-0611	Extension Spring
5.	605-5193A	26" Spiral Assembly LH	27.	736-0119	Lock Washer 5/16
-	605-5189A	24" Spiral Assembly LH	28.	736-0167	Flat Washer .565 x 1.25 x .02
6.	741-0493A	Flange Bushing	30.	738-0281	Shoulder Screw
7.	741-0245	Hex Flange Bearing	31.	741-0309	Ball Bearing
8.	784-0399	Bearing Housing	32.	756-0178	Flat Idler
9.	712-0429	Lock Nut 5/16-18 Thd.	33.	784-5632B	Auger Idler Brkt.
10.	712-3010	Hex Nut 5/16-18 Thd.	34.	736-0320	Flat Washer .38 x 1.38
11.	736-0242	Bell Washer	35.	784-5038B	Skid Shoe
12.	05931A	Housing	36.	710-0276	Carriage Screw 5/16-18
13.	684-0065	Impeller Assembly	37.	784-5647	Chute Crank Brkt.
14.	705-5226	Reinforcement Chute	38.	605-5192A	26" Spiral Assembly RH
15.	710-0451	Carriage Bolt 5/16-18 x .75	-	605-5188A	24" Spiral Assembly RH
16.	710-0459A	Hex Cap Screw 3/8-24 x 1.50	39.	784-5579A	26" Shave Plate
17.	710-0726	AB Screw 5/16-12 x 0.75	-	784-5581A	24" Shave Plate
18.	710-0703	Carriage Screw 1/4-20 x .75	40.	746-0897	Auger Clutch Cable
19.	710-0890A	Shear Bolt 5/16-18 x 1.5	41.	736-0169	Lock Washer 3/8
20.	712-0116	Lock Jam 3/8-24	42.	741-0475	Plastic Bushing
21.	712-3027	Hex Flange Nut 1/4-20			

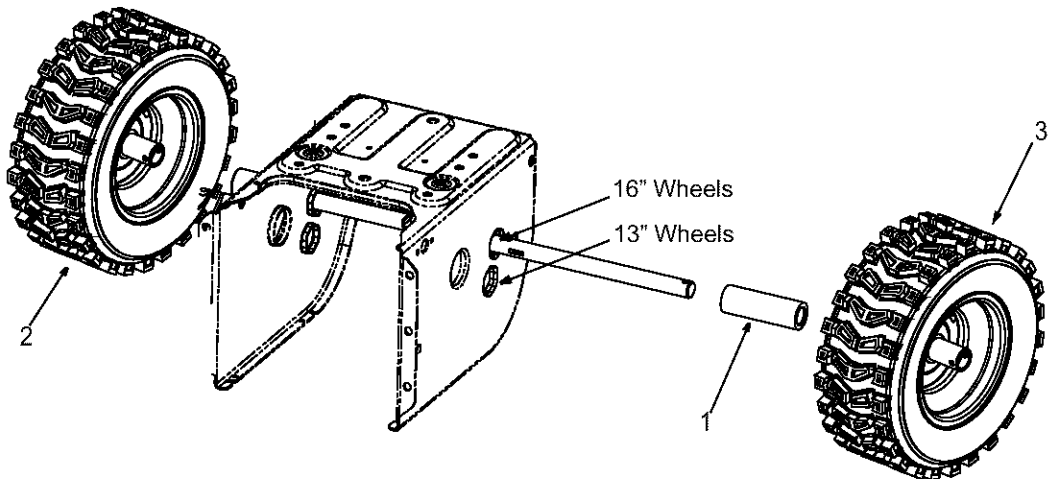
Models Storm 7524 & Storm 8526



Models Storm 7524 & Storm 8526

Ref. No.	Part No.	Part Description	Ref. No.	Part No.	Part Description
1	710-1652	TT Screw, 1/4-20 x .625	25	715-0249	Roll Pin
2	784-5688	Drive Cable Guide Bracket	26	714-0143	Klik Pin
3	784-5687A	Auger Clutch Cable Bracket	27	684-0042C	Friction Wheel Assembly
4	756-0625	Cable Roller	28	656-0012A	Friction Disc Wheel
5	738-0924	Hex Screw 1/4-28	29	684-0013B	Wheel Shift Rod Assembly
6	784-5630B	Frame Assembly	30	710-0599	TT Screw, 1/4-20 x .5
7	741-0563	Ball Bearing	31	748-0190	Spacer
8	736-0105	Bell Washer	32	684-0021	Friction Wheel Bracket Assy.
9	712-0116	Lock Jam Nut	33	732-0264	Extension Spring
10	741-0598	Hex Flange Bearing	34	712-0711	Jam Nut 3/8-24
11	736-0188	Flat Washer†	35	746-0898B	Drive Cable
12	784-5689A	Front Support Guide Bracket	36	738-0869	Axle 13" Wheels
13	710-0538A	Lock Hex Screw		738-0830	Axle 16" Wheels
14	736-0242	Bell Washer .340 ID x .872 OD	37	790-00010	Friction Plate
15	714-0474	Cotter Pin	—	790-00011	Friction Plate w/Extrusion
16	736-0160	Flat Washer .536 ID x .930 OD	38	735-0243B	Friction Wheel Rubber
17	710-0809	TT Screw, 1/4-20 x 1.25	39	718-0301A	Friction Wheel Hub
18	784-5590	Frame Shift Bracket	40	618-0063A	Friction Wheel Bearing
19	784-5638	Frame Cover	41	711-1364	Clevis Pin, 1/4 x 1.3725
20	710-1652	Hex Washer TT Screw 1/4-20	42	736-0142	Flat Washer, .281 x .5 x .063
21	736-0351	Flat Washer .760 ID x .50 OD	43	714-0507	Cotter Pin, .75
22	717-1445	Gear	44	712-0703A	Insert Nut, 5/16-18
23	714-0126	Key	45	716-0102	Snap Ring
24	717-04094	7-Tooth Shaft			

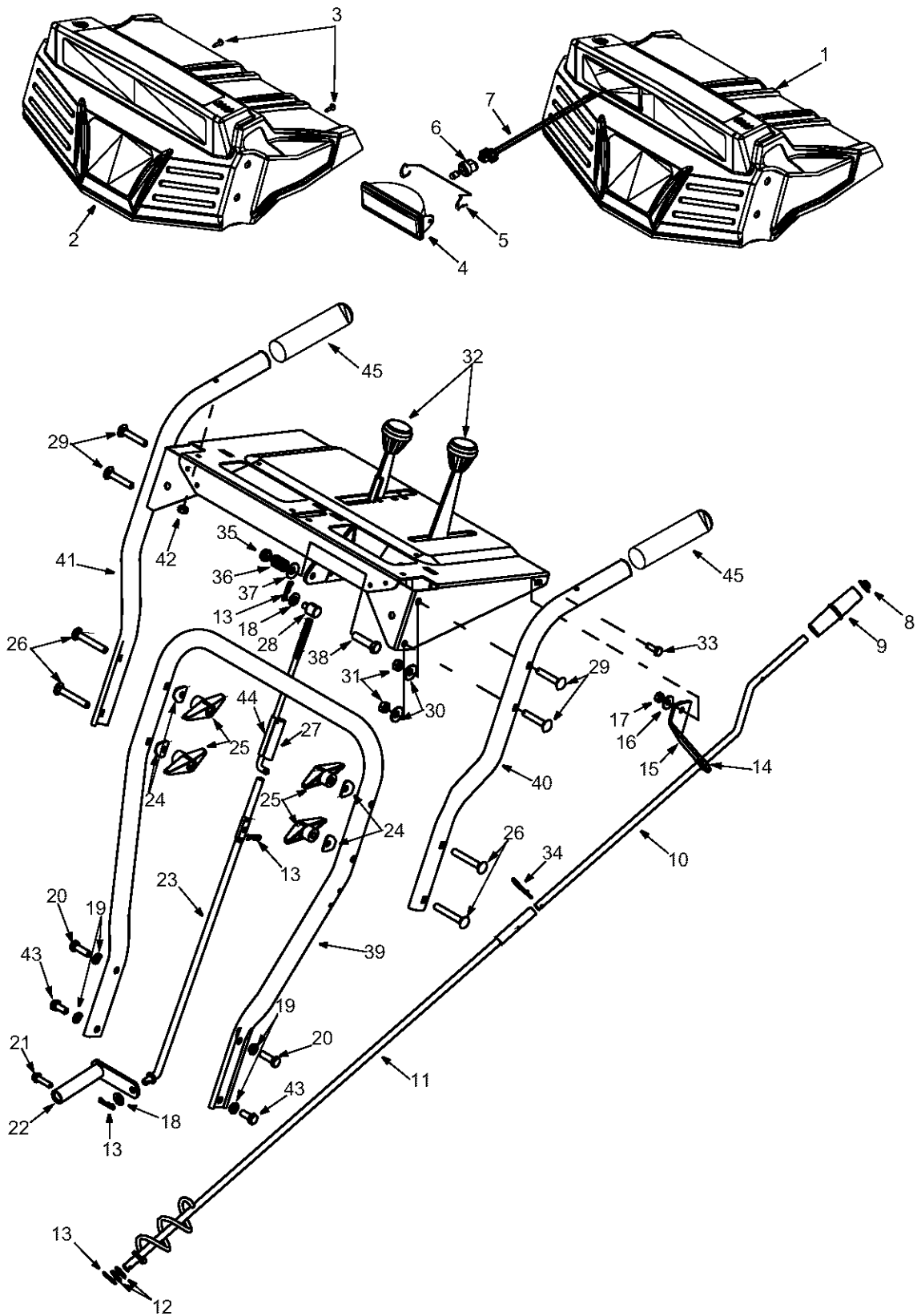
† Use more than one washer on either side, only if necessary to reduce axle-play.



WHEEL CHART				
Model No.	Wheel Size	Ref. 1 (Spacer)	Ref. 2 (Wheel Comp.)	Ref. 3 (Wheel Comp.)
7524	13 x 5	731-04044	634-04012	634-04011
8526	16 x 4.8	731-04043	634-04014	634-04013

NOTE: A wheel assembly includes one tire, one air valve, one painted rim and two sleeve bearings.

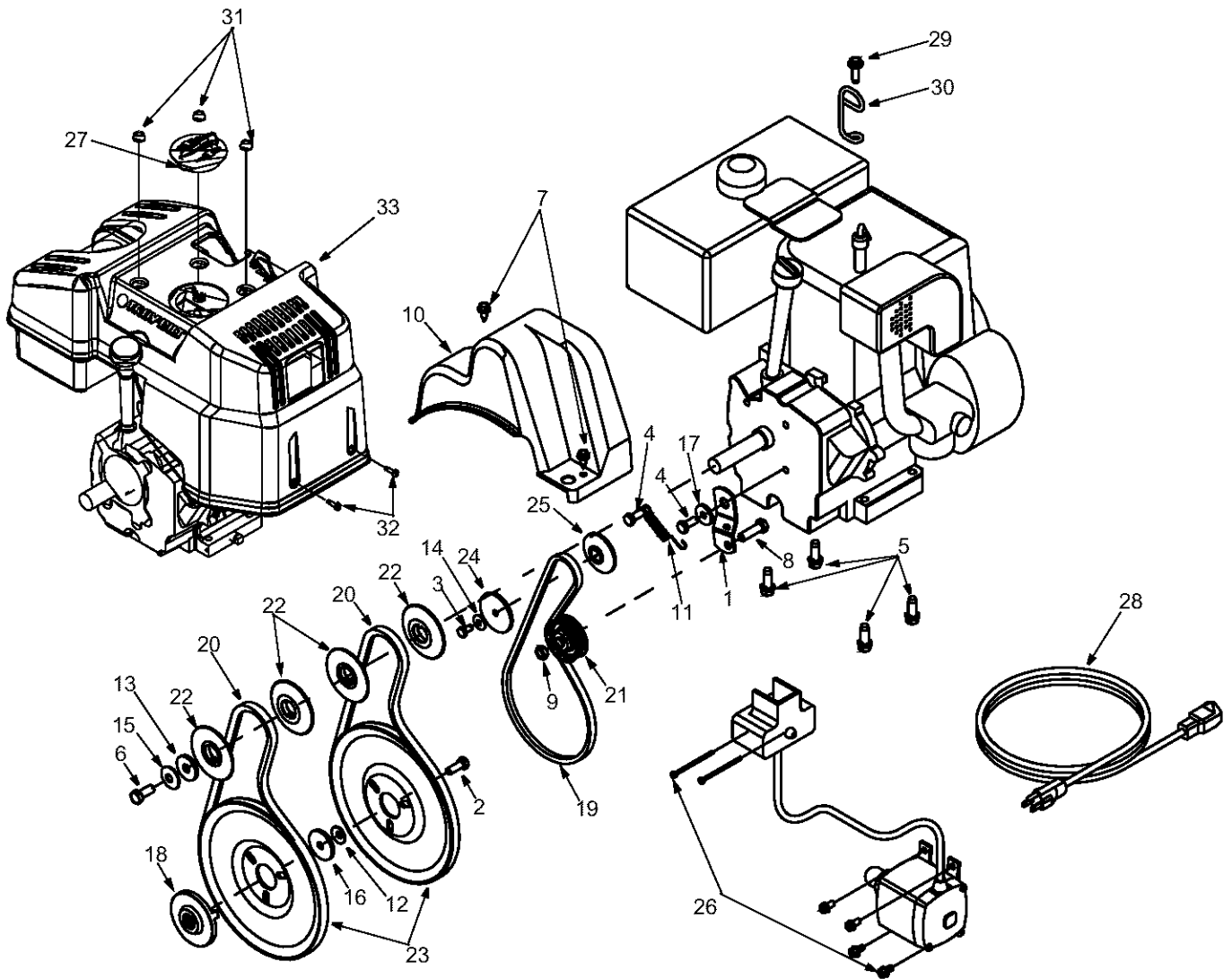
Models Storm 7524 & Storm 8526



Models Storm 7524 & Storm 8526

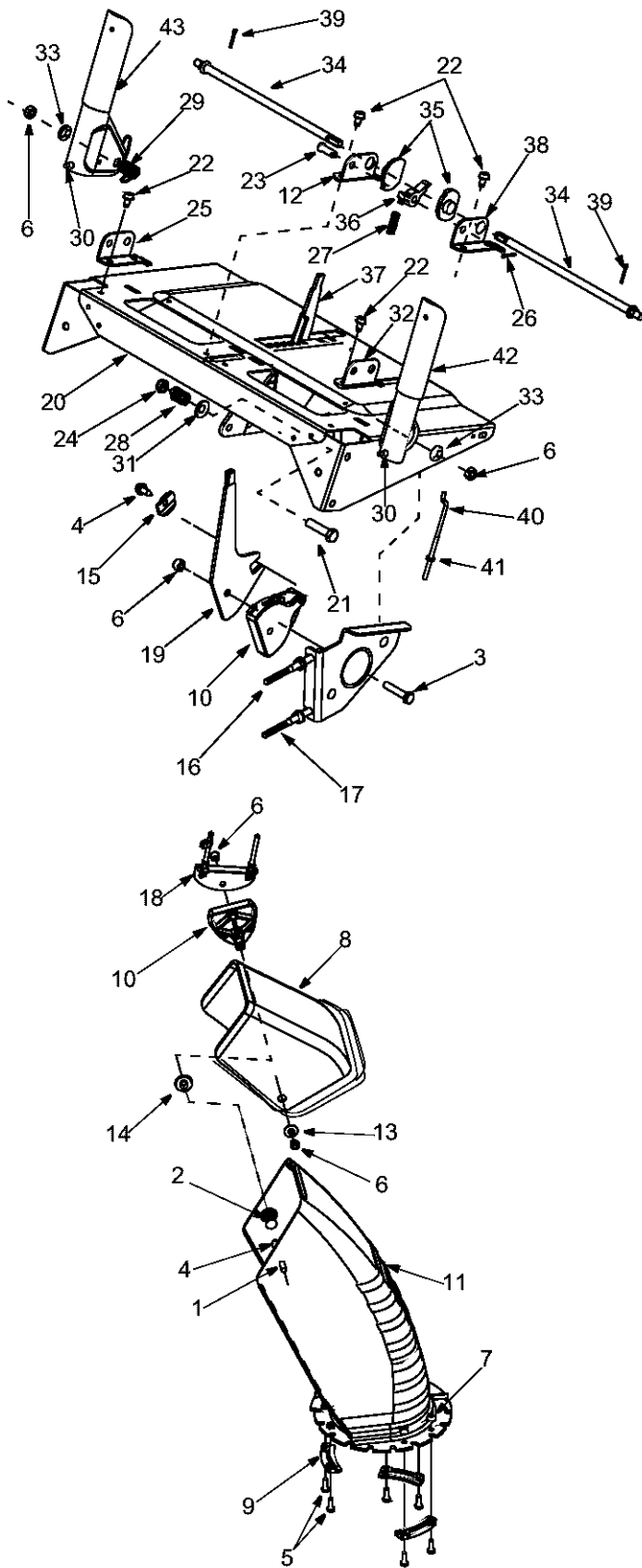
Ref. No.	Part No.	Part Description	Ref. No.	Part No.	Part Description
1.	731-04067	Handle Panel (8526)	24.	736-0451	Saddle Washer
2.	731-04059	Handle Panel (7524)	25.	720-0284	Knob
3.	710-1003	Special B Screw (8526)	26.	710-0449	Carriage Screw 5/16-18, Gr. 5
4.	725-1672	Lens Assembly (8526)	27.	750-0963	Shift Rod Connector
5.	747-1136	Lamp Retainer (8526)	28.	711-0677	Ferrule
6.	725-1658	Halogen Lamp (8526)	29.	710-0458	Carriage Bolt
7.	629-0059	Lamp Wire Harness (8526)	30.	736-0242	Bell Washer
8.	726-0100	Push Cap	31.	712-3068	Hex L-Nut 5/16-18 Thd.
9.	720-0201A	Chute Crank Knob	32.	720-0232	Shift Knob
10.	747-0737	Upper Chute Crank	33.	710-3015	Hex Hd. Cap Screw 1/4-20
11.	684-0053B	Chute Crank Assembly, Lower	34.	714-0145	Click Pin
12.	736-0185	FI-Wash. .375 I.D. x .738 O.D.	35.	712-0116	Jam L-Nut 3/8-24 Thd.
13.	714-0104	Hairpin Clip	36.	732-0193	Compression Spring
14.	741-0475	Plastic Bushing	37.	736-0105	Spring Washer
15.	705-5266	2 pc. Chute Crank Brkt.	38.	710-0459A	Hex Cap Screw 3/8-24 Thd.
16.	736-0270	Bell Washer	39.	749-0951	Lower Handle
17.	712-0287	Hex Nut 1/4-20 Thd.	40.	749-0953A	Upper Handle, LH
18.	736-0275	FI-Wash. .344 I.D. x .688 O.D.	41.	749-0952A	Upper Handle, RH
19.	736-0119	L-Wash. 5/16	42.	712-0271	Hex Sems Nut
20.	710-0643	Hex Hd. Cap Scr. 5/16-18 Thd.	43.	710-1880	Hex Patch Screw 5/16-18 Thd.
21.	710-0788	TT-Tap Screw 1/4-20 Thd.	44.	747-0620A	Upper Shift Rod
22.	684-0008A	Shift Arm Assembly	45.	720-0274	Foam Grip
23.	747-0621	Lower Shift Rod			

Models Storm 7524 & Storm 8526



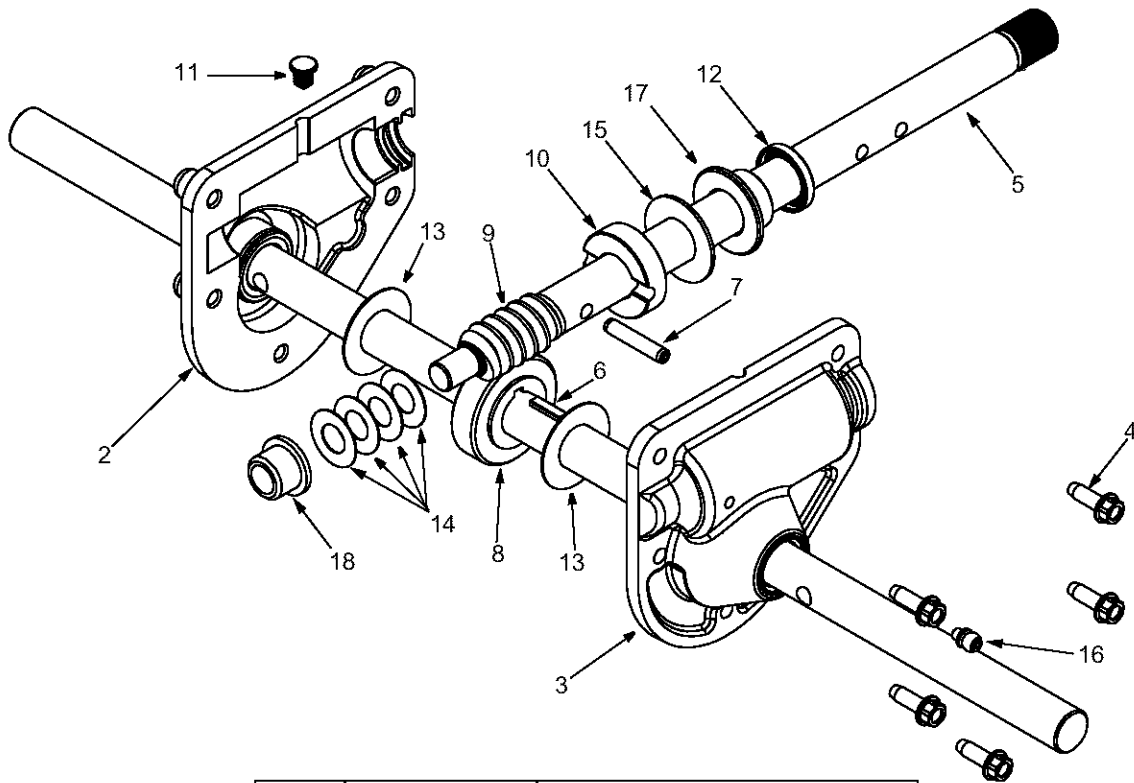
Ref. No.	Part No.	Description	Ref. No.	Part No.	Description
1.	05896A	Idler Brkt.	18.	748-0360	Pulley Adapter
2.	710-1245B	Hex Hd. Cap Screw 5/16-24 Thd.	19.	754-0346	V-Belt 3/8
3.	710-0230	Hex Hd. Cap Screw 1/4-28 Thd.	20.	754-0430B	Belt
4.	710-0627	Hex Hd. Cap Screw 5/16-24 Thd.	21.	756-0313	Flat Idler Pulley
5.	710-0654A	TT-Tap Screw 3/8-16 Thd.	22.	756-0569	Half Pulley
6.	710-0696	Hex Hd. Screw 3/8-24	23.	756-0967	Auger Pulley
7.	710-1652	TT-Tap Screw 1/4-20 Thd.	24.	756-0986	Half Pulley
8.	710-3005	Hex Hd. Cap Screw 3/8-16 Thd.	25.	756-0987	Half Pulley
9.	712-0181	Jam Nut	26.	OEM-390-987	Electric Start Kit
10.	731-1324	Belt Cover	27.	684-04011	Spark Plug Cap
11.	732-0710	Extension Spring	28.	629-0071	Extension Cord
12.	736-0242	Bell Washer	29.	—	Part of Engine
13.	736-0247	FI-Washer .406 I.D. x 1.25 O.D.	30.	732-0705	Cable Control Wire
14.	736-0270	Bell Washer	31.	712-3004A	Flange Lock Nut, 5/16-18 Thd.
15.	736-0331	Bell Washer	32.	710-04082	Screw, #10-16 x .75
16.	736-0505	FI-Washer .34 I.D. x .50 O.D.	33.	684-04014A	Engine Shroud (Incl. Ref. 27)
17.	748-0234	Shoulder Spacer			

Models Storm 7524 & Storm 8526



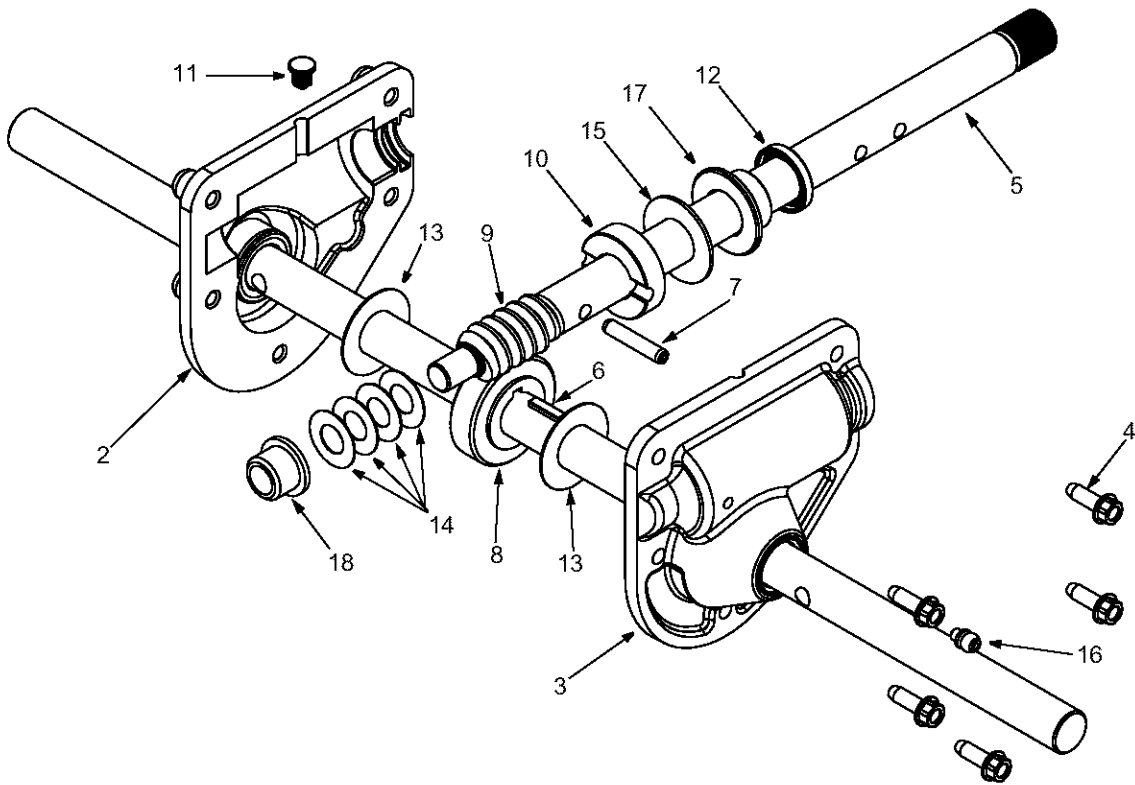
Ref. No.	Part No.	Description
1.	710-04071	Carriage Screw
2.	710-0262	Carriage Bolt 5/16-18 x 1.75"
3.	710-0805	Hex Bolt 5/16-18 x 1.5"
4.	710-0895	HiLo Screw 1/4-15 x .75"
5.	710-3015	Hex Screw 1/4-20 x .75"
6.	712-0429	Hex Lock Nut
7.	712-3027	Hex Flange Lock Nut
8.	731-04427	Upper Chute
9.	731-0851A	Chute Flange Keeper
10.	731-1313C	Cable Guide: Chute Tilt
11.	731-1300B	Lower Chute
12.	784-5680	Handle Suppt. Bracket 5/8 RH
13.	736-0159	5/16 Washer
15.	736-0506	Special Washer
16.	746-0896	Chute Control Cable
17.	746-0901	Chute Cable w/Clip
18.	784-5594	Cable Bracket
19.	784-5604	Chute Tilt Handle
20.	684-0102	Handle Panel Assembly w/ Tilt
21.	710-0459A	Hex Bolt 3/8-24 x 1.5"
22.	710-0599	TT Screw 1/4-20 x 0.5"
23.	711-0653	Clevis Pin
24.	712-0116	Jam Nut
25.	784-5682	Handle Suppt. Bracket 3/8 RH
26.	714-0104	Cotter Pin
27.	732-0145	Spring
28.	732-0193	Spring
29.	732-0746	Torsion Spring
30.	735-0199A	Rubber Bumper
31.	736-0105	Bell Washer
32.	784-5681	Handle Suppt. Bracket 3/8 LH
33.	736-0509	Special Washer
34.	747-0877	Cam Rod
35.	748-0362	Cam: Handle Lock
36.	748-0363	Pawl: Handle Lock
37.	784-5619A	Shift Handle
38.	784-5679	Handle Suppt. Bracket 5/8 LH
39.	714-0507	Cotter Pin
40.	746-0778	Z Fitting Cable
41.	710-0116	Hex Jam L-Nut 3/8-24 Thd.
42.	684-0037B	Handle Ass'y LH
43.	684-0036A	Handle Ass'y RH

Model Storm 7524



Ref. No.	Part No.	Description
1.	618-0414A	Auger Gearbox Ass'y Comp.
2.	618-0123	Housing Assembly, RH
3.	618-0418	Housing Assembly, LH
4.	710-0642	Screw, 1/4-20 x .75
5.	711-0908A	24" Auger Axle
6.	714-0161	Hi-Pro Key
7.	715-0143	Spirol Pin
8.	717-0526	Worm Shaft .75 O.D.
9.	717-0528	Worm Gear 20T
10.	718-0186	Thrust .75 I.D. x .415 O.D.
11.	721-0325	Plug 1/4 x .437
12.	721-0327	Oil Seal .75 I.D. x 1.73 O.D.
13.	736-0351	FI-Wash. .760 I.D. x 1.5 O.D.
14.	736-0369	FI-Wash. .508 I.D. x 1.0 O.D.
15.	736-0445	FI-Wash. .76 I.D. x 1.50 O.D.
16.	737-3000	Lube Fitting 3/16 Drive
17.	741-0662	Flange Bearing
18.	741-0663	Flange Bearing

Model Storm 8526



Ref. No.	Part No.	Description
1.	618-0415A	Auger Gearbox Ass'y Comp.
2.	618-0123	Housing Assembly, RH
3.	618-0418	Housing Assembly, LH
4.	710-0642	Screw, 1/4-20 x .75
5.	711-0909A	26" Auger Axle
6.	714-0161	Hi-Pro Key
7.	715-0143	Spirol Pin
8.	717-0526	Worm Shaft .75
9.	717-0528A	Worm Gear 20T
10.	718-0186	Thrust .75 x .415
11.	721-0325	Plug 1/4 x .437
12.	721-0327	Oil Seal .75 x 1.73
13.	736-0351	FI-Wash. .760 x 1.5
14.	736-0369	FI-Wash. .508 x 1.0
15.	736-0445	FI-Wash. .76 x 1.50
16.	737-3000	Lube Fitting 3/16 Drive
17.	741-0662	Flange Bearing
18.	741-0663	Flange Bearing

MANUFACTURER'S LIMITED WARRANTY FOR:



The limited warranty set forth below is given by Troy-Bilt LLC with respect to new merchandise purchased and used in the United States, its possessions and territories.

"Troy-Bilt" warrants this product against defects in material and workmanship for a period of two (2) years commencing on the date of original purchase and will, at its option, repair or replace, free of charge, any part found to be defective in materials or workmanship. This limited warranty shall only apply if this product has been operated and maintained in accordance with the Operator's Manual furnished with the product, and has not been subject to misuse, abuse, commercial use, neglect, accident, improper maintenance, alteration, vandalism, theft, fire, water, or damage because of other peril or natural disaster. Damage resulting from the installation or use of any part, accessory or attachment not approved by Troy-Bilt for use with the product(s) covered by this manual will void your warranty as to any resulting damage.

Normal wear parts or components thereof are subject to separate terms as follows: All normal wear parts or component failures will be covered on the product for a period of 90 days regardless of cause. After 90 days, but within the two year period, normal wear part failures will be covered ONLY IF caused by defects in materials or workmanship of OTHER component parts. Normal wear parts and components include, but are not limited to: batteries, belts, blades, blade adapters, grass bags, rider deck wheels, seats, snow thrower skid shoes, shave plates, auger spiral rubber, and tires.

HOW TO OBTAIN SERVICE: Warranty service is available, WITH PROOF OF PURCHASE, through your local authorized service dealer. To locate the dealer in your area, check your Yellow Pages, or contact Troy-Bilt LLC at P.O. Box 361131, Cleveland, Ohio 44136-0019, or call 1-866-840-6483 or 1-330-558-7220, or log on to our Web site at www.troybilt.com.

This limited warranty does not provide coverage in the following cases:

- a. Engine or components thereof. These items may carry a separate manufacturer's warranty. Refer to applicable manufacturer's warranty for terms and conditions.
- b. Log splitter pumps, valves, and cylinders have a separate one year warranty.
- c. Routine maintenance items such as lubricants, filters, blade sharpening, tune-ups, brake adjustments, clutch adjustments, deck adjustments, and normal deterioration of the exterior finish due to use or exposure.
- d. Troy-Bilt does not extend any warranty for products sold or exported outside of the United States, its possessions and territories, except those sold through Troy-Bilt's authorized channels of export distribution.
- e. Replacement parts that are not genuine Troy-Bilt parts.
- f. Service completed by someone other than an authorized service dealer.
- g. Transportation charges and service calls.

No implied warranty, including any implied warranty of merchantability of fitness for a particular purpose, applies after the applicable period of express written warranty above as to the parts as identified. No other express warranty, whether written or oral, except as mentioned above, given by any person or entity, including a dealer or retailer, with respect to any product, shall bind Troy-Bilt. During the period of the warranty, the exclusive remedy is repair or replacement of the product as set forth above.

The provisions as set forth in this warranty provide the sole and exclusive remedy arising from the sale. Troy-Bilt shall not be liable for incidental or consequential loss or damage including, without limitation, expenses incurred for substitute or replacement lawn care services or for rental expenses to temporarily replace a warranted product.

Some states do not allow the exclusion or limitation of incidental or consequential damages, or limitations on how long an implied warranty lasts, so the above exclusions or limitations may not apply to you.

In no event shall recovery of any kind be greater than the amount of the purchase price of the product sold. **Alteration of safety features of the product shall void this warranty.** You assume the risk and liability for loss, damage, or injury to you and your property and/or to others and their property arising out of the misuse or inability to use the product.

This limited warranty shall not extend to anyone other than the original purchaser or to the person for whom it was purchased as a gift.

HOW STATE LAW RELATES TO THIS WARRANTY: This limited warranty gives you specific legal rights, and you may also have other rights which vary from state to state.

IMPORTANT: Owner must present Original Proof of Purchase to obtain warranty coverage.